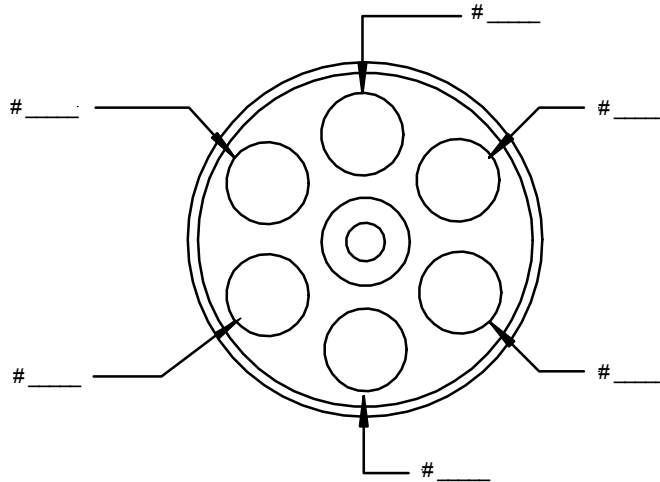
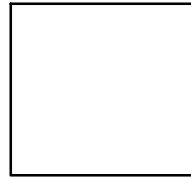


REVOLVER EXAM WORKSHEET

Supplement to Evidence Report

Indicate Cylinder Rotation



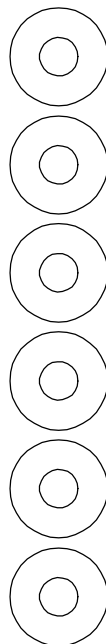
REVOLVER CYLINDER AS VIEWED FROM REAR

Number each cylinder and mark inside the cylinder as follows: F = Fired / U = Unfired / E = Empty

List Type of Ammunition by Cylinder Number

Sketch headstamp if ammunition type is not known.

- #1 _____
- #2 _____
- #3 _____
- #4 _____
- #5 _____
- #6 _____



Case Information
Incident #
Date:
Victim:
Exam Information
Date:
Gun Make:
Gun Model:
Gun Caliber:
Gun S/N:
BBL Length:
Finish:
Notes:
Exam By:

imprimus[®]

Training for the Crime Scene Professional

Specializing in Forensic Training and Support Services

Training Workshops

- Basic Evidence Technician's School
- Basic & Advanced Photography
- Biological & Trace Evidence
- Crime Scene First Responder
- Fingerprint Development & Recovery
- Footwear & Tire Track Evidence
- Homicide & Death Investigations
- Incident Scene Videography
- Report Writing
- Scene Sketching & Diagramming



View Our Student Portfolio



Review Our Student's Comments



Tour Our Patch Board



Serving the Great Lakes Region & Beyond

Our Training Philosophy

Imprimus Forensic Services, LLC is dedicated to providing high quality training and support services for the investigative community. We believe that the best method for developing the techniques and skills necessary to perform tasks related to this field, is through hands-on training taught by experienced instructors using appropriate equipment.

Our workshops are competency based programs where skills are honed through focused training, developed around careful task analysis of incident scene processing functions. All sessions are designed to compliment and reinforce one another through an overlapping of skill sectors.

In addition to our standard programs, we can work with your agency to create a customized training regimen tailored to suit the needs of your personnel.

Specialized Services

- Courtroom & Trial Services
- Downloadable Files
- Forensic Bookstore
- Forensic Skills Survey
- Program Audits
- Footwear & Tire Track Evidence

Training Partnerships

- Northeastern Illinois Public Safety Training Academy
- College of Lake County Illinois
- Illinois Regional Institute for Community Policing
- South Metro Public Safety Training Academy - Edina Minnesota

Visit Our Web Site

Please stop by and visit our web site. Program descriptions, cost and registration forms are available on-line.

We accept Wisconsin DOJ training vouchers.

www.imprimus.net

Imprimus Forensic Services, LLC[®]

Your first source for forensic consulting services.

P.O. Box 1532 - Arlington Heights, IL 60006 - 847.804.8420 - www.imprimus.net